



PULLMASTER-II 1



PULLMASTER-II 2

PLANETA-PULLMASTER-II

The manual chain hoist **PLANETA-PULLMASTER-II** is our valued price alternative to many hoists on the market. It complies fully with all relevant. International standards and the CE-regulations for Europe. Its solid design and easy way of handling made him many friends through the last years. You will find **PULLMASTER-II** in many kinds of industry, shipyards, on cranes and also for maintenance.

Safety brake

The large sized safety brake works instantly when operation is stopped, holding the load safely in any position.

Reliable material

The housings are made of steel, the hook holder and sheaves are of cast steel. This makes PULLMASTER-II robust and sturdy.

Swivel hook

Top and bottom hook are out of tempered high tensile steel. They have spring loaded, galvanized safety latches with side bending protection.

Luxury rust protection

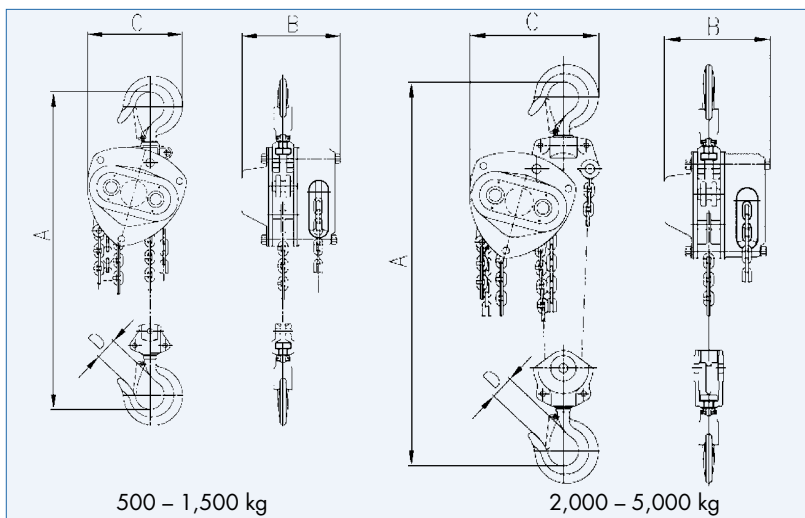
Screws, nuts, discs, washers, bolts, the complete middle section and the chains are galvanized to offer a reliable corrosion protection. All other steel parts are painted or powder-coated with our best blue finish. Top quality load chain accords to EN 818-7-T and shines zinc galvanized.



PULLMASTER-II 0.5

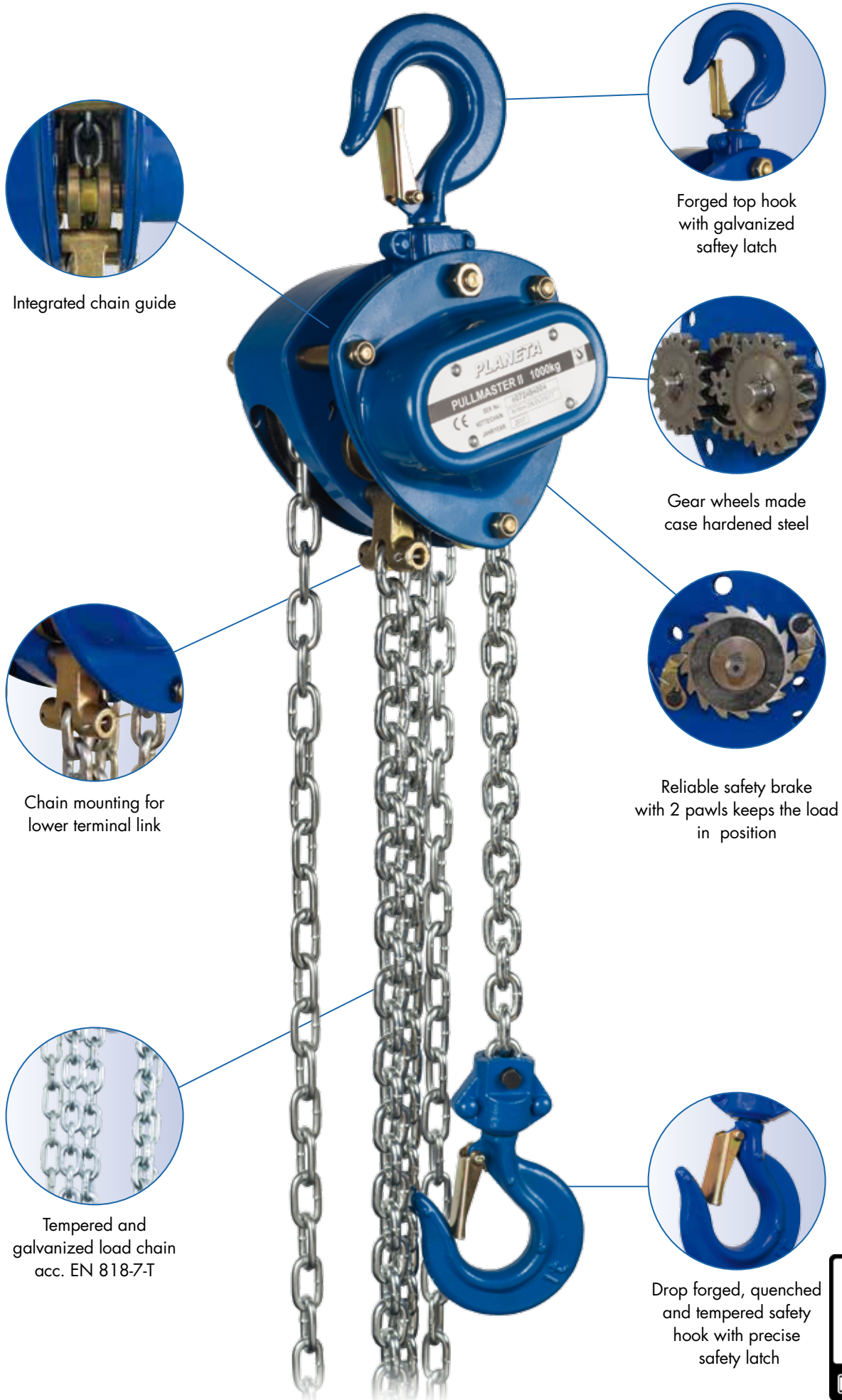


PULLMASTER-II 5



TYPE	PULLMASTER-II ...	0.5	1	1.5	2	3	5	10
Capacity	kg	500	1,000	1,500	2,000	3,000	5,000	10,000
Standard lift	m	3	3	3	3	3	3	3
Min. headroom (A)	mm	285	332	410	455	530	620	737
Hand chain force	daN	19	24	33	24	33	32	32
Hand chain operation length	m	2.5	2.5	2.5	2.5	2.5	2.5	2.5
Meters hand chain to pull to lift 1m	m	25.5	41.5	44.8	82.9	89.6	154.9	309.7
Number of chain falls		1	1	1	2	2	2	4
Chain size	mm	5 x 15	6 x 18	8 x 24	6 x 18	8 x 24	10 x 30	10 x 30
C (Dimensions)	mm	120	147	181	147	181	224	373
B	mm	116	136	147	136	147	177	177
D	mm	28	32	38	40	45	50	64
Weight with Standard lift	kg	7.5	11.5	15.8	16	22	37	68
Weight for 1 m additional lifting height *	kg	1.3	1.6	2.2	2.4	3.6	5.2	9.6
PULLMASTER-II ... with 3 m lift	Order No.	G10530	G10531	G10538	G10532	G10533	G10534	G10535
Additional 1 m lift	Order No.	G10241	G10242	G10243	G10244	G10536	G10246	G10537

* 1 m operating length and 1 lift



Integrated chain guide



Forged top hook with galvanized safety latch



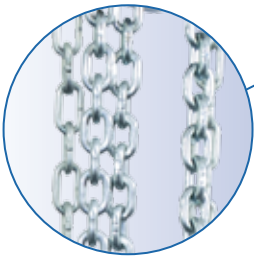
Gear wheels made case hardened steel



Reliable safety brake with 2 pawls keeps the load in position



Chain mounting for lower terminal link



Tempered and galvanized load chain acc. EN 818-7-T



Drop forged, quenched and tempered safety hook with precise safety latch

